



TAI-SAW TECHNOLOGY CO., LTD.

No. 3, Industrial 2nd Rd., Ping-Chen Industrial District,
Taoyuan, 324, Taiwan, R.O.C.

TEL: 886-3-4690038 FAX: 886-3-4697532

E-mail: tstsales@mail.taisaw.com Web: www.taisaw.com

Approval Sheet For Product Specification

Issued Date:

Product Name: SAW Resonator 300 MHz TO-39

TST Parts No.: TC0319A

Customer Parts No.: _____

Company: _____
Division: _____
Approved by : _____
Date: _____

Checked by: _____ Asin Lin

Approval by: _____ Francis Chen

Date: _____ 2006/7/18



TAI-SAW TECHNOLOGY CO., LTD.

No. 3, Industrial 2nd Rd., Ping-Chen Industrial District,
Taoyuan, 324, Taiwan, R.O.C.

TEL: 886-3-4690038 FAX: 886-3-4697532

E-mail: tstsales@mail.taisaw.com Web: www.taisaw.com

SAW Resonator 300 MHz

MODEL NO.: TC0319A

REV. NO.:1

A. FEATURES:

1. 1-Port Resonator.

B. MAXIMUM RATING:

1. Input Power Level: 0 dBm

2. DC voltage: 12 V

3. Operating Temperature: -40°C to +85°C

4. Storage Temperature: -40°C to +85°C

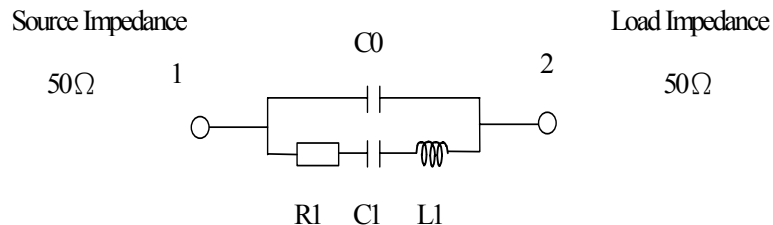
C. ELECTRICAL CHARACTERISTICS:

Characteristic	Units	Minimum	Typical	Maximum
Center frequency Fr	MHz	299.925	300	300.075
Insertion Loss IL	dB	-	1.7	2.5
Equivalent Elements				
Motional capacitance C1	fF	-	3.42	-
Motional inductance L1	μH	-	80.254	-
Motional resistance R1	Ohm	-	19.2	-
Parallel capacitance Co	pF	-	5.01	-
Temp.coeff.	ppm/c*2	-	0.032	-
Turnover To	deg.C	-	25	-
Package size			TO-39	

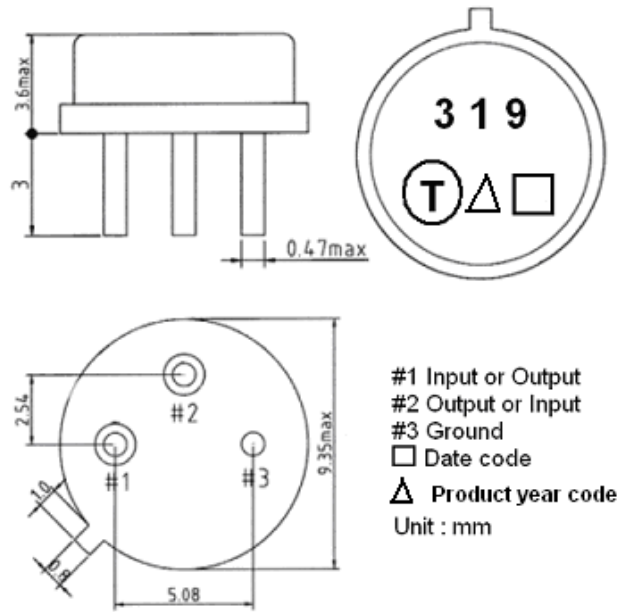


D. EQUIVIRENT CIRCUIT:

One-Port Resonator:



E. OUTLINE DRAWING:

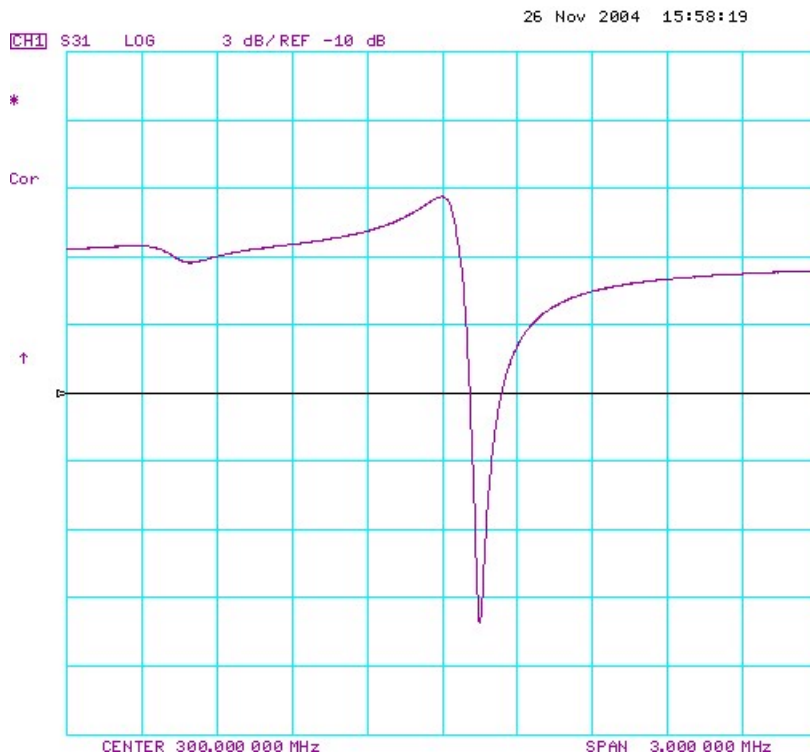


Date code: Provided by planer each year

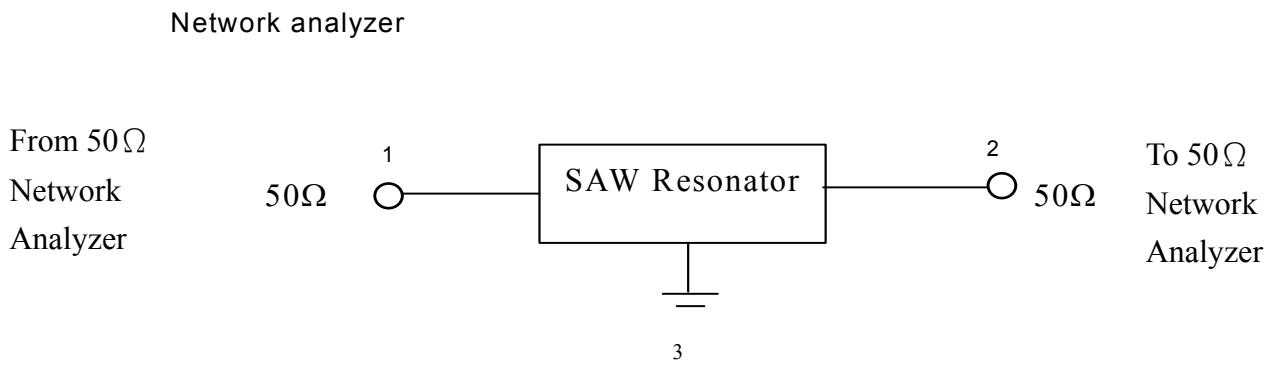
Product Year Code

Year	2005 2009	2006 2010	2007 2011	2008 2012
Product Code	C	c	<u>C</u>	<u>c</u>

F. FREQUENCY CHARACTERISTICS:



G. TEST CIRCUIT:



H. PACKING:

50 pcs per tube.